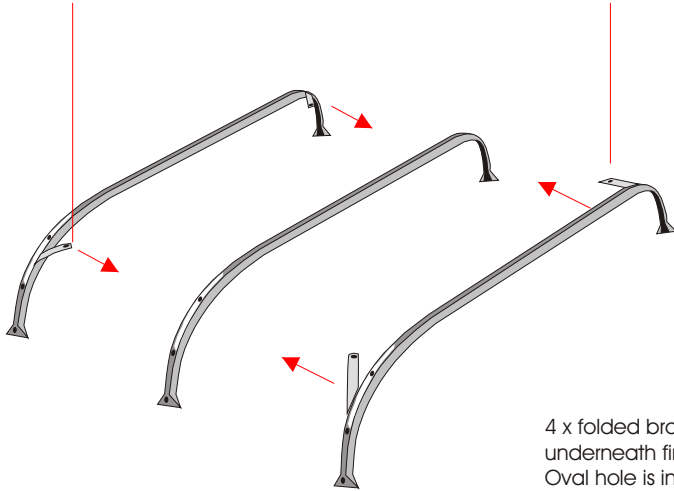


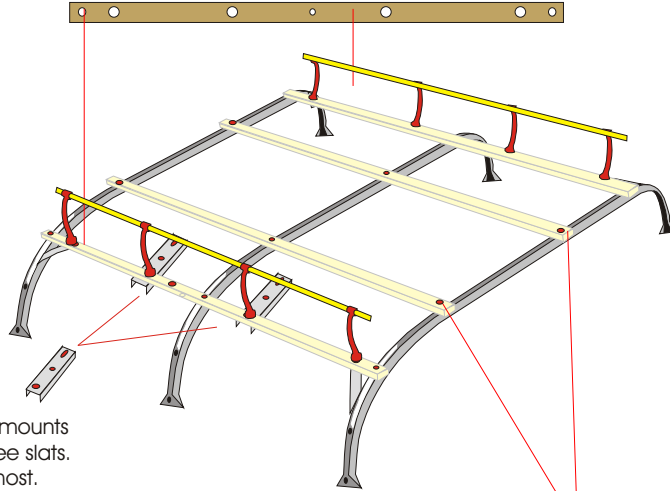
WESTFALIA 3 BOW ROOF RACK FITTING INSTRUCTIONS

Bows with brackets go at each end, brackets facing inwards

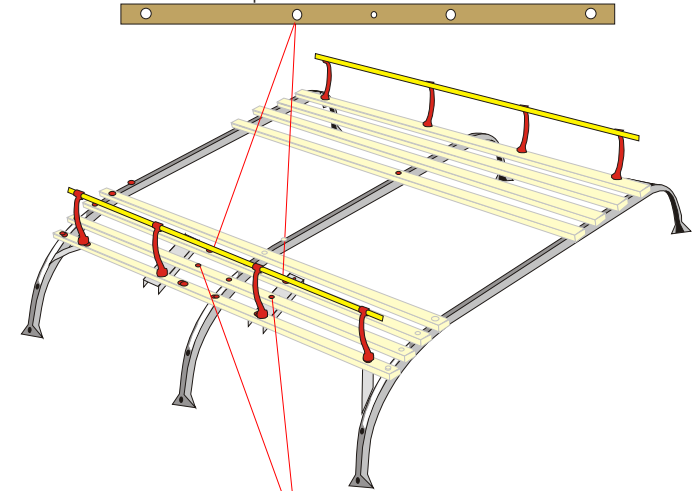


4 x folded bracket mounts underneath first three slats. Oval hole is inner most. Do not fully tighten.

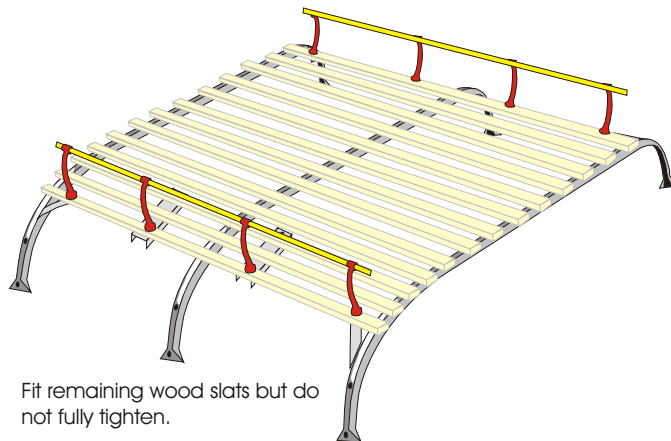
2 x 7 hole slats go on outside of rack



2 x 5 hole slats with large hole here
Go in third position inwards

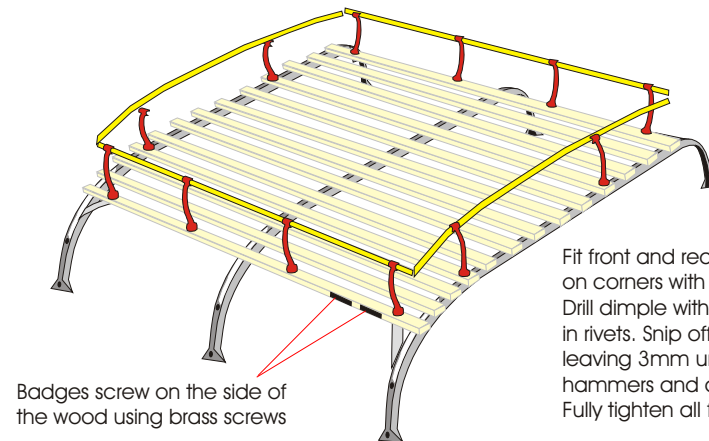


2 x 3 large hole slats go in fourth position inwards



Fit remaining wood slats but do not fully tighten.

2 x 5 hole slats with small hole here
Go in second position inwards Do not fully tighten.



Badges screw on the side of the wood using brass screws

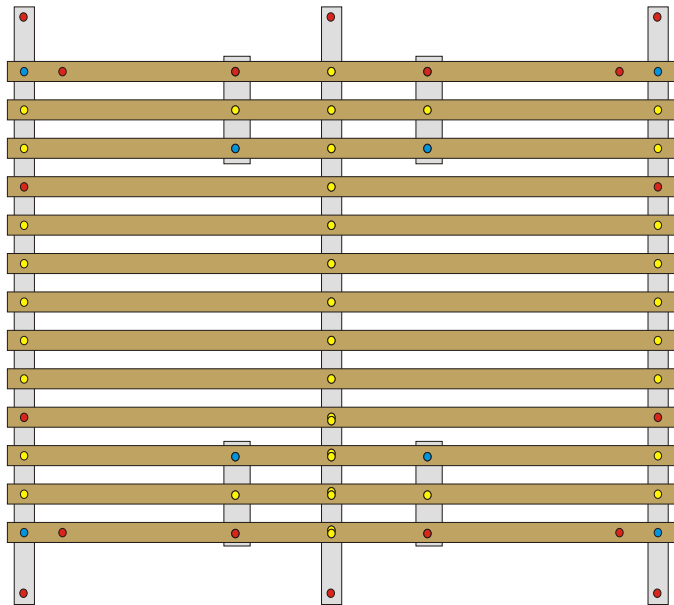
Fit front and rear curved tubes. Slip on corners with dimples upwards. Drill dimple with 3mm drill and slip in rivets. Snip off rivet excess leaving 3mm underneath. Use two hammers and dolly rivet. Fully tighten all fasteners.

T +44 01258 863600
F +44 01258 863400





CREATIVE ENGINEERING
WESTFALIA FASTNER LOCATION CHART


E-Mail: palmer@creative-engineering.com
Long technical questions cannot be answered by email. Please call.
WWW. Creative-engineering.com



35 ● M4 x 30 pan head screw


35 M4 nyloc


8 ● M6 x 30 coach bolt


8 M4 nyloc


18 ● M8 x 30 cap head screw


6 M8 square nut
